

# HydroBlue™

## The next generation of water treatment technology.

- Saves energy
- Softer and smoother skin and hair
- Protect water-using appliances
- Cleaner dishes and spotless silverware
- Cleaner, softer and longer lasting clothes
- Saves up to 75% on soaps and cleaning supplies
- Easily clean plumbing fixtures and shower parts
- Features CSI valve with Bluetooth™ technology control

**Built**  
TO LAST  
**Years**  
OF SERVICE

 **Bluetooth™**



### Valve Features

- Simple set up through Bluetooth App
- 12 VDC operation
- 5 cycles, all fully adjustable
- Treated Water Refill with pre-brine option
- Programming ease and options increase efficiency, save salt and water
- Strong, durable Noryl® valve body, weather insect resistant one-piece slide cover
- Proprietary two valve bypass with 1" MNPT Connections
- 9V battery back-up
- Well motor to a drain line shut off position if power fails during regeneration
- Switch Output for:
  - Full Cycle Function
  - Backwash Function
- Limited 5 year warranty

### Optional Configurations:

- Backwash filter system
- Nitro & Sidekick Single Tank Aeration system
- Low Salt Indicator – Revere™
- Meter option to initiate regeneration

A lifetime of soft, conditioned water for your family and home from Hydro Blue™.  
Backed by over 75 years of combined experience

# Simple setup through Bluetooth App

Valve is certified by: WQA to NSF/ANSI/CAN 61 Drinking Water System Components



## Plain

SYS-HYDROBLUE-R  
SYS-HYDROBLUE-M  
SYS-HYDROBLUE-L  
SYS-HYDROBLUE-XL



## Tank Shroud

SYS-HYDROBLUE-TS-M  
SYS-HYDROBLUE-TS-L  
SYS-HYDROBLUE-TS-XL



## Full Weld Jacket

SYS-HYDROBLUE-JKT-R  
SYS-HYDROBLUE-JKT-M  
SYS-HYDROBLUE-JKT-L  
SYS-HYDROBLUE-JKT-XL



## Plain Cloth Jacket Black

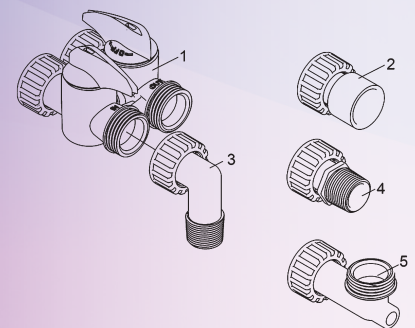
SYS-HYDROBLUE-NP-PLAIN-M  
SYS-HYDROBLUE-NP-PLAIN-L  
SYS-HYDROBLUE-NP-PLAIN-XL  
SYS-HYDROBLUE-NP-PLAIN-GY-L  
SYS-HYDROBLUE-NP-HB-M  
SYS-HYDROBLUE-NP-HB-L  
SYS-HYDROBLUE-NP-HB-XL



Legacy View makes setting up and monitoring your Hydro Blue water treatment system easier than ever. When used with a Legacy View Valve the user, through the app, can do the following functions:

- Conveniently view all valve settings and status
- Easily change valve settings
- View current water usage information
- Graphically view water usage information
- Start a regeneration or backwash cycle from your phone or tablet
- Configure and view the servicing water treatment dealer information
- Better understand how your system is working and understand what settings are for
- Connect to all of your valves in your system (if they are all Legacy View Valves)
- Manage your connection to your valves

## Bypass Connector Options



Distributed By

